

# Sweeper-WP

## Weatherproof solution

When it comes to outdoor security and access control, you need reliable equipment. The Sweeper-WP speed gates serve as the perfect assistant for such needs!



# Take a step into the future with the weatherproof Sweeper-WP speed gates



Whether it's a downpour or a hot sunny windy day, the Sweeper-WP speed gates by TiSO brand remain reliable and steadfast. Come rain or shine, the Sweeper-WP speed gates by the TiSO brand remain steadfast and reliable. With a high level of protection rated at IP54, they ensure your comfort and safety in any weather conditions, including a high level humidity and dust.

# Sweeper-WP

Weatherproof solution - IP54

## Key features

IP54

### High level of protection rated at IP54

The design of the speed gate provides reliable protection of equipment against the influence of the outdoor environment: high level of humidity, dust, wind, high/low temperature, etc.



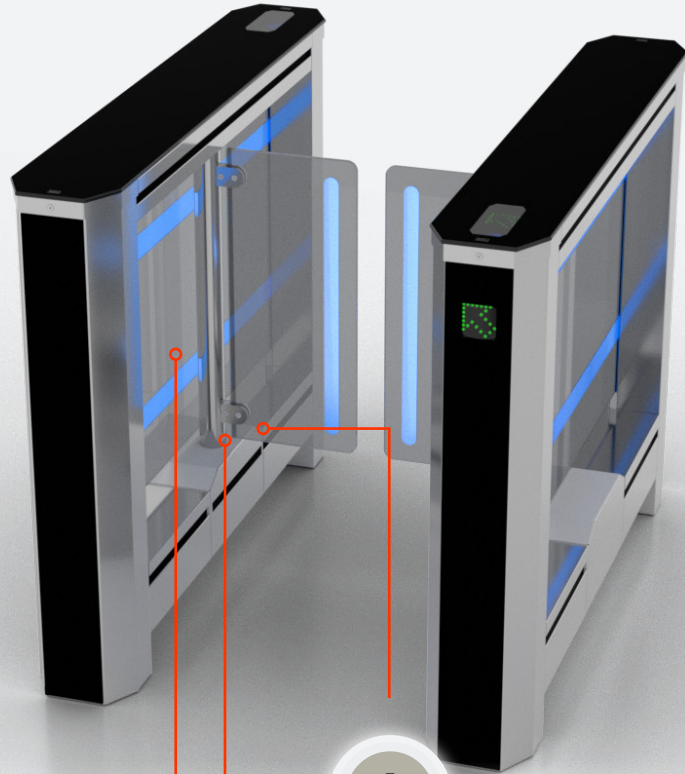
### The smart self-diagnosing system

Automatically analyzes the system, detects critical malfunctions, and records error log and warnings.



### Bright top LED indication.

Progressive LED lighting clearly indicates the status of the gate and invites customers to enter the store (blue - standby mode; red - passage is prohibited; green - passage is allowed).



### BMDrive® mechanism

Reliable mechanism with powerful BLDC gear motor ensures long term maintenance-free operation.



### ToothLock® locking system

Fast and durable leaf locking system ToothLock® works in two modes HiSecurity and LowNoise.

# Sweeper-WP

Weatherproof solution - IP54

Operates stably in extreme weather conditions without a covering or roof



**Temperature fluctuations**

- +45 - Max
- -45 - Min



**Atmospheric pressure**

- 106,7 kPa - Max
- 84 kPa - Min



**Relative humidity**

- 80% - Max



Operates stably in extreme weather conditions without a covering or roof.



The mechanism is safeguarded by a specially designed housing.



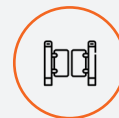
Aerodynamic leaves are designed to be wind-resistant.



Resistant to high humidity and dust.



Protection of motion and safety sensors is guaranteed by the unique design of the turnstile.



Stainless housing guarantees an elegant look of the turnstile after long-term operation.



Endurance against both high and low temperatures.

# Sweeper-WP

Weatherproof solution - IP54

## Wind and vandal proof leaves



### Locations

- Public places with a large and constant flow of people.
- Beaches, coastal areas, or other locations with high humidity and strong gusts of wind.
- Public transport (bus stations, railway stations etc).
- Regions with unstable extreme climate and weather conditions.



### Characteristics of the leaves

- stainless steel leaves
- grooved structure of the leaves guarantees aerodynamic properties
- designed to withstand wind and other weather conditions
- withstands high loads in case of vandalism
- the width of the leaves can be adapted according to your requirements

# Sweeper-WP

Weatherproof solution - IP54



- Long-term testing of this model has confirmed that it operates without failures and remains in the same elegant design, despite the influence of outdoor factors.

## LED lightening of speed gate status

### BLUE

- standby mode



### GREEN

- passage is allowed



### RED

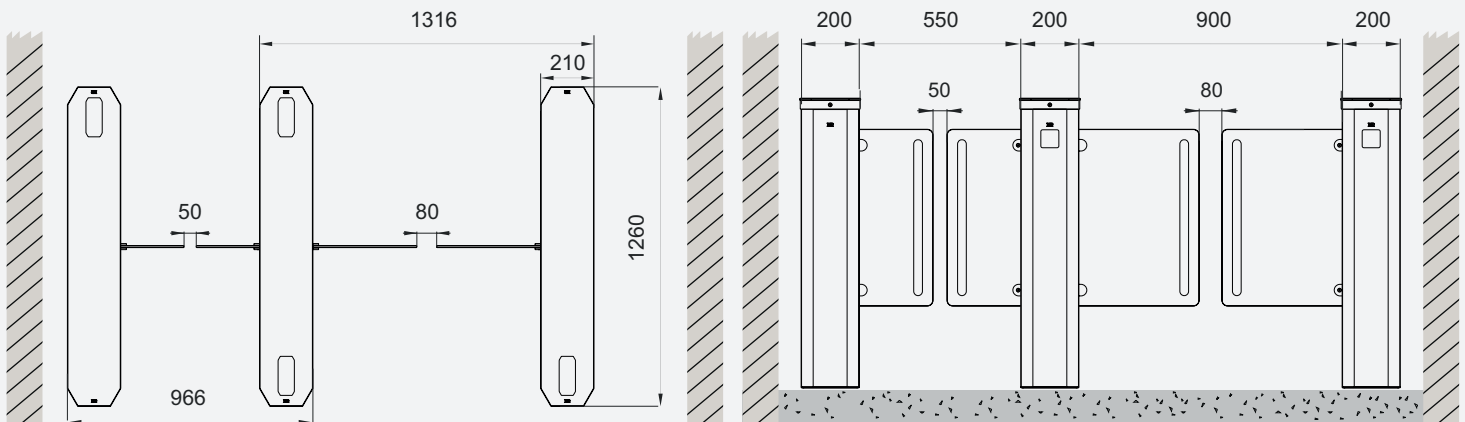
- passage is prohibited



# Sweeper-WP

Weatherproof solution - IP54

# Technical Specifications



## Technical Specifications:

Model	Sweeper-WP
Passage width, mm	550                      900
Opening/closing	0,3/0,6
Mechanism	BMDrive® servodrive (BLDC)
Mean time to failure	MCBF 10 000 000 cycles
Blocking system	ToothLock®
Protective level	IP54
Emergency mode	Free exit/entry (could be opening automatically)
Power fail	Fail safe (could be opened manually – standard)

## Electrical Specifications:

Maximum power consumption, W	160 W
Voltage	From the AC (100-240)V, 50/60Hz; from a DC source 12V

## Finishing

Standard housing	Brushed SS AISI 304
Available housing	Brushed SS AISI 316; Polished SS AISI 304; Polished SS AISI 316; Powder coated any RAL upon request
Top lid	Solid glass top



### **TISO Global**

Kyiv, Ukraine  
tel.: +380 (44) 291-21-11  
e-mail: [sales@tiso.global](mailto:sales@tiso.global)  
[www.tiso.global](http://www.tiso.global)

### **TISO ME**

Dubai, UAE  
Dubai South, B4 Building,  
Office 231, P.O. Box 712990,  
tel.: +971 4 548 67 77  
tel.: +971 56 799 68 08  
e-mail: [sales.me@tiso.global](mailto:sales.me@tiso.global)  
[www.tiso.global](http://www.tiso.global)

### **TISO UK**

4, BYWORTH CLOSE  
Bexhill-on Sea  
East Sussex TN39 4NX  
tel.: +44 7800777636  
e-mail: [sales@tisouk.com](mailto:sales@tisouk.com)  
[www.tisouk.com](http://www.tisouk.com)

### **TISO APAC**

Singapore  
78 Bedok North Road,  
Unit 14-232, 460078  
tel.: +65 62506 0515  
e-mail: [sales.apac@tiso.global](mailto:sales.apac@tiso.global)  
[www.tisoapac.com](http://www.tisoapac.com)